



Owner's Manual

Havis Docking Station

For Getac F110 Rugged Tablet

Related Products

Havis offers a wide variety of accessory products specifically for use with the DS-GTC-210 Series Docking Station. For more information or to order, please visit www.havis.com.



DS-DA-311 *USB Extension Cable*

Allows for more convenient access for up to two (2) of the available USB 2.0 ports. Can be mounted to the right, left, or both sides on DS-GTC-200 Series Docking Stations.



LPS-116 *95W Power Supply*

External in-vehicle power supply and cable for Getac F110 Rugged Tablet with cigarette lighter adaptor.



DS-DA-102 *Night Eyes II*

In-vehicle night time viewing from six long lasting, soft true, red LED lights on a flexible steel gooseneck.



DS-DA-218 *Desktop Stand for Tablet Docking Stations*

Durable stand for mounting tablet Docking Stations for use in the home or office.

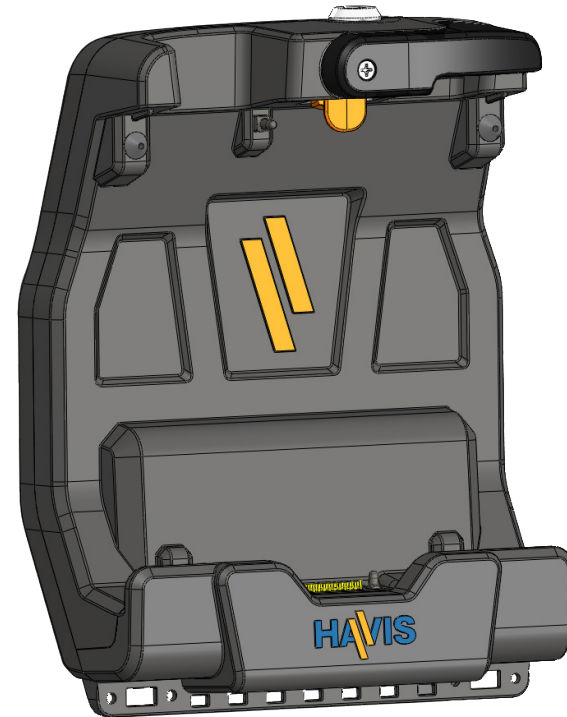


DS-DA-501 *Replacement Keys*

Set of two (2) replacement keys for DS-GTC-210 Series Docking Stations.

DS-GTC-210 Series

DS-GTC-211 DS-GTC-212 DS-GTC-213
DS-GTC-211-3 DS-GTC-212-3 DS-GTC-213-3



Havis, Inc.

75 Jacksonville Road
Warminster, PA 18974

www.havis.com 1-800-524-9900



www.havis.com
1-800-524-9900

Havis is pleased to provide this Owner's Manual to aid in the proper installation and use of the DS-GTC-210 Series Docking Station for the Getac F110 Rugged Tablet.

For questions regarding the set-up of your DS-GTC-210 Series Docking Station, please contact Havis at 1-800-524-9900 or visit www.havis.com for additional product support and information.

This Owner's Manual applies to the following Part Numbers:

DS-GTC-211	DS-GTC-212	DS-GTC-213
DS-GTC-211-3	DS-GTC-212-3	DS-GTC-213-3

WARNING

- NEVER STOW OR MOUNT THE DOCKING STATION DIRECTLY IN A VEHICLE AIRBAG DEPLOYMENT ZONE.
- DO NOT USE COMPUTER WHILE DRIVING.

CAUTION

- READ ALL INSTRUCTIONS THOROUGHLY BEFORE BEGINNING INSTALLATION.
- DO NOT STORE, INSTALL, OR OPERATE THE DOCKING STATION WHERE WATER, MOISTURE, STEAM, DUST, ETC. ARE PRESENT
- DOCKING OR UNDOCKING YOUR COMPUTER WHILE IN ON, STANDBY, HIBERNATION, OR SLEEP MODE CAN CAUSE SOME DEVICES TO NOT INITIALIZE PROPERLY. IF THIS OCCURS, PLEASE TURN OFF YOUR COMPUTER AND RESTART IT WHILE IT IS DOCKED.
- FOR THE DS-GTC-211, DS-GTC-211-3, DS-GTC-212 & DS-GTC-212-3 DOCKING STATIONS: DO NOT CONNECT DIRECTLY TO VEHICLE VOLTAGE SOURCE: This product requires a certified, automotive grade, Getac approved 95W power source rated for a continuous, regulated 19VDC output (*Havis Part Number LPS-116 or equivalent*). Failure to comply with this requirement will cause product damage that is NOT repairable and is NOT covered under warranty.
- FOR THE DS-GTC-213 & DS-GTC-213-3 DOCKING STATION: DO NOT CONNECT DIRECTLY TO VEHICLE VOLTAGE SOURCE: The Getac F110 tablet requires a certified, Getac approved power source rated for a continuous, regulated 19VDC output. Getac recommends using the power adapter included with the tablet; failure to comply with this requirement will cause product damage that is NOT repairable and is NOT covered under warranty.

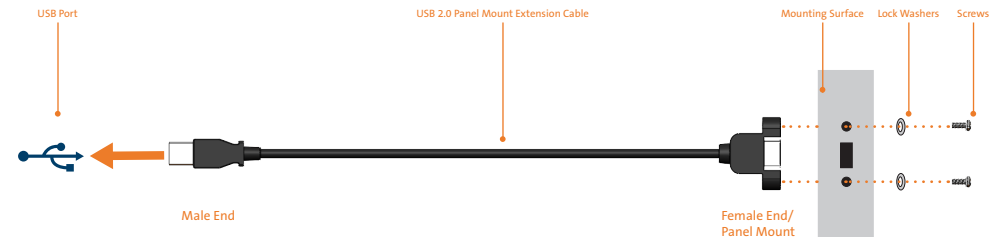
NOTICE

- FOR DOCKING STATION MODELS EQUIPPED WITH A BUNDLED POWER SUPPLY (*DS-GTC-212, DS-GTC-212-3*) REFER TO THE SUPPLIED LIND POWER SUPPLY REFERENCE GUIDE.
- WHEN TABLET IS DOCKED, THE BATTERY WILL ONLY CHARGE BETWEEN 0°C to 50°C (32°F to 122°F). PLEASE REFER TO GETAC F110 OWNER'S MANUAL FOR MORE INFORMATION.

DS-DA-311 - Remote USB Extension Cable

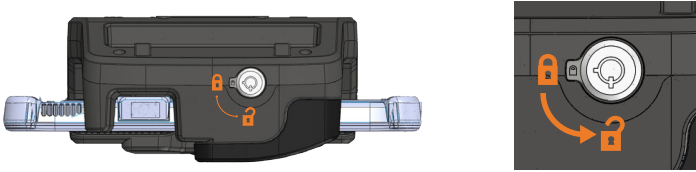
(For further Installation Instructions, refer to the Instructions included with DS-DA-311)

- 1) Determine if USB will exit the left or right side of Docking Station.
- 2) Remove the Screws from USB Cable.
- 3) Align the female end of the USB Cable with mounting surface hole pattern. Insert Screws and Lock Washers and tighten Screws.
CAUTION: DO NOT OVERTIGHTEN SCREWS
- 4) Plug male end of USB Cable into USB Port.
- 5) Strain Relief cable as needed.
- 6) If the connected peripheral has a cable requiring strain relief, use Int. Zip Tie (Hardware Kit Item #1) by snapping into hole just below port.
- 7) Continue on with Installation on Page 6.

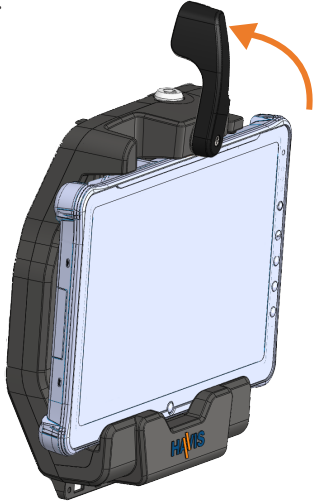


Operation - Undocking

- 1) If previously locked, unlock Docking Station using supplied key.



- 2) While holding tablet with one hand, lift the Latch Handle on the top of Docking Station.



- 3) Once unlatched grab both sides of tablet, rock the top forward and carefully lift out of Docking Station, top end first.

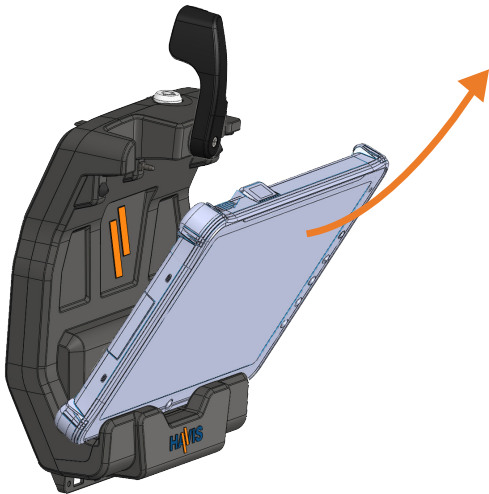


Table of Contents

Specifications	3
Parts Included	4
Port Replication Capability & Antenna Identification	5
Installation	6
Cable Management	7
Operation - Docking	8
Operation - Undocking	10

Precautions

- Do not place metal objects or containers of liquid on top of the Docking Station
- If a malfunction occurs, immediately unplug the Power Supply and remove the laptop
- Use only the specified Power Supply (Part # LPS-116) with this Docking Station
- Do not connect cables into ports other than what they are specified for
- Do not leave the Docking Station in a high temperature environment (greater than 85°C, 185°F) for a long period of time

Specifications

Power Supply Input	19.0V DC-In
Dimensions	11.1" (28.2 cm) H x 8.7" (22.2 cm) W x 4.4" (11.1 cm) D
Weight	2.6 lbs (1.18 kg)
Operating Environment	-20° C to 60° C (-4° F to 140° F)
Storage Environment	-40° C to 71° C (-40° F to 160° F)

EC DECLARATION OF CONFORMITY in accordance with EN 50498

Manufacturers Name: Havis, Inc.

Manufacturers Address: 75 Jacksonville Road, Warminster, PA 18974 USA

Declares under our sole responsibility that the product:

Product name: Havis Docking Station For Getac F100 Fully Rugged Tablet

Model: DS-GTC-21X, where 'X' may be any alphanumeric character and which describes product options.

Product Options: This declaration covers all options of the above product which bear the CE Marking.

Is in conformity with the following standards or other normative documents:

Automotive EMC Directive

EN 50498:2010, Electromagnetic compatibility (EMC) -

2004/108/EC:

Product family standard for aftermarket electronic equipment in vehicles

Directive 2011/65/EU

Restriction of the use of certain hazardous substances (RoHS)

Supplementary Information:

The product herewith complies with the requirements of the Automotive EMC Directive 2004/108/EC, Annex I, 6.5, 6.6, 6.8, and 6.9. This product requires the use of a recommended e-Marked automotive power supply when used within vehicles.

Warminster, PA, USA

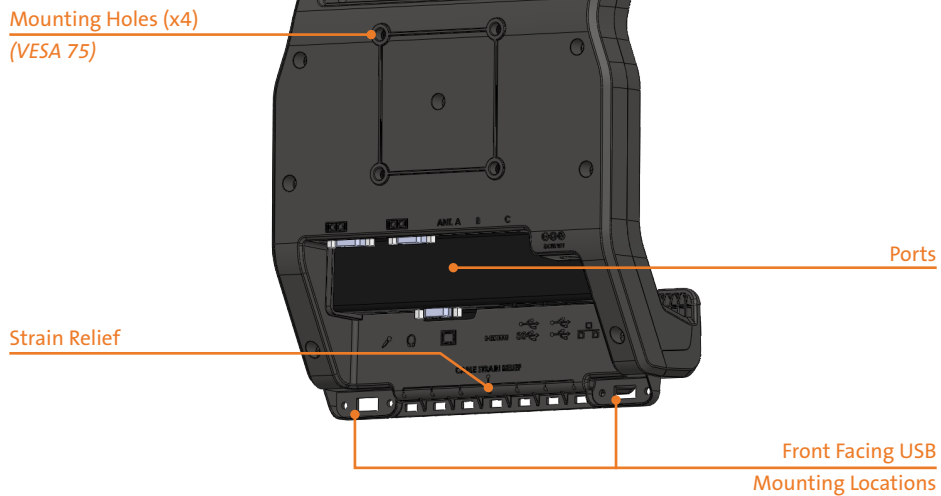
April 11, 2014

Bruce Jonik, Director of Engineering, Havis, Inc.

FCC 47CFR, Part 15 compliance: This is an FCC Class B device. Any changes or modifications to the model DS-GTC-21X not expressly approved by Havis, Inc. could void the user's authority to operate this equipment.

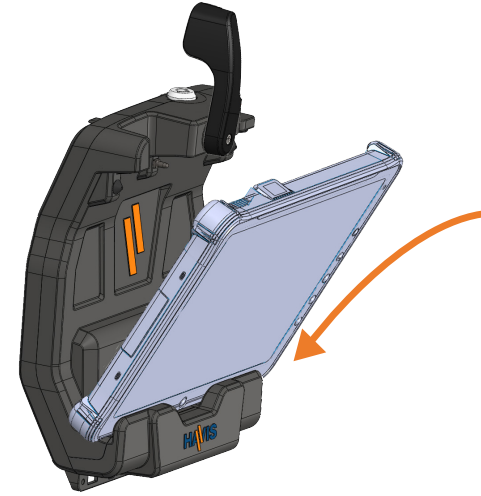
Parts Included

Docking Station

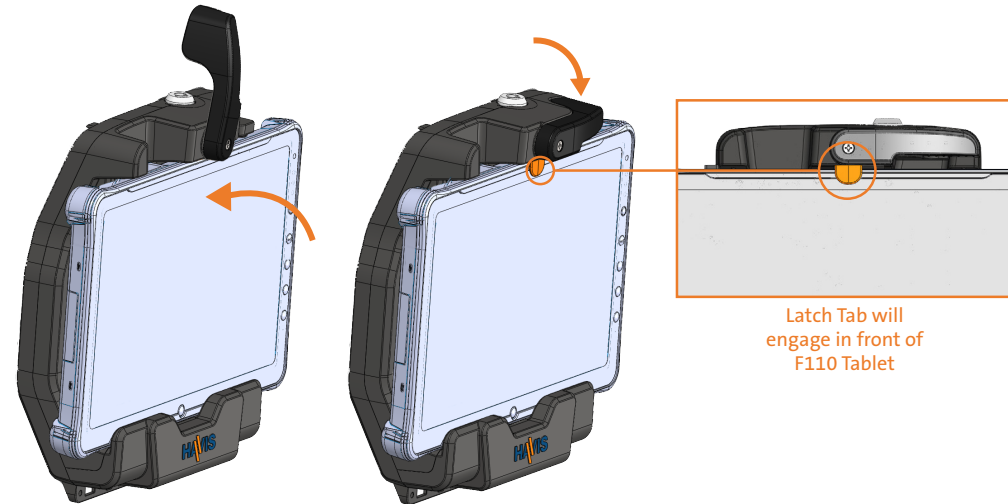


Operation - Docking

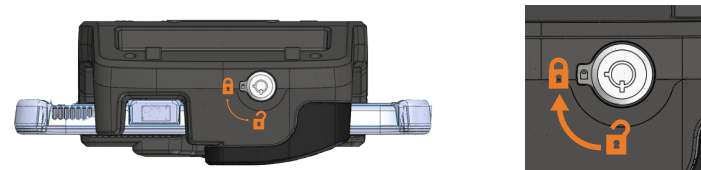
- 2) Hold tablet in landscape orientation, with bottom angled toward Docking Station. Lower tablet into the bottom of the Docking Station.



- 3) Pivot tablet so the top aligns with the Locator Pin at the top of the Docking Station. Lower the Latch Handle to secure tablet in place.



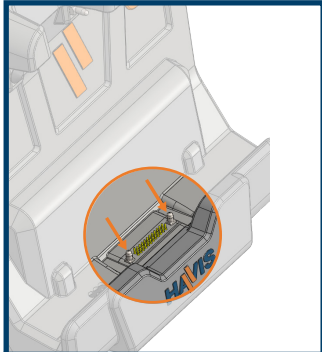
- 4) For theft deterrence, secure tablet by locking Docking Station with supplied key (Hardware Kit Item 2).



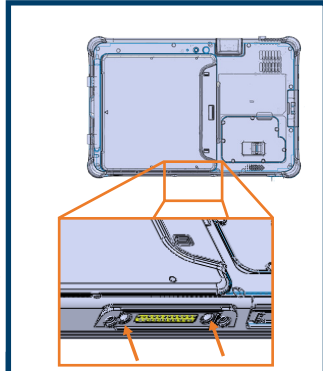
CAUTION

DO NOT FORCE TABLET ONTO DOCKING STATION. IF THERE IS RESISTANCE, CHECK ALIGNMENT OF TABLET ON DOCKING STATION.

NOTE: Ensure a proper connection by aligning the tablet's Alignment Sockets with the Docking Station's Alignment Posts



Alignment Posts
DS-GTC-210 Series Docking Station



Alignment Sockets
Back Side of Getac F110 Rugged Tablet



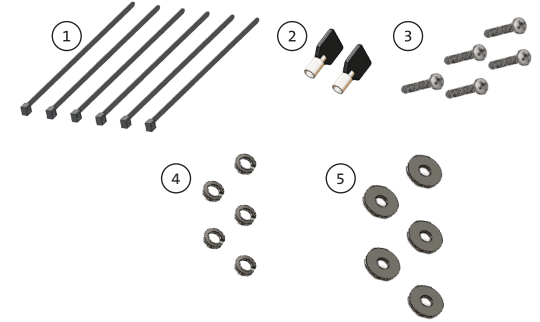
1) Ensure Docking Station is unlatched by lifting Latch Handle.



Hardware Kit

This Hardware Kit includes:

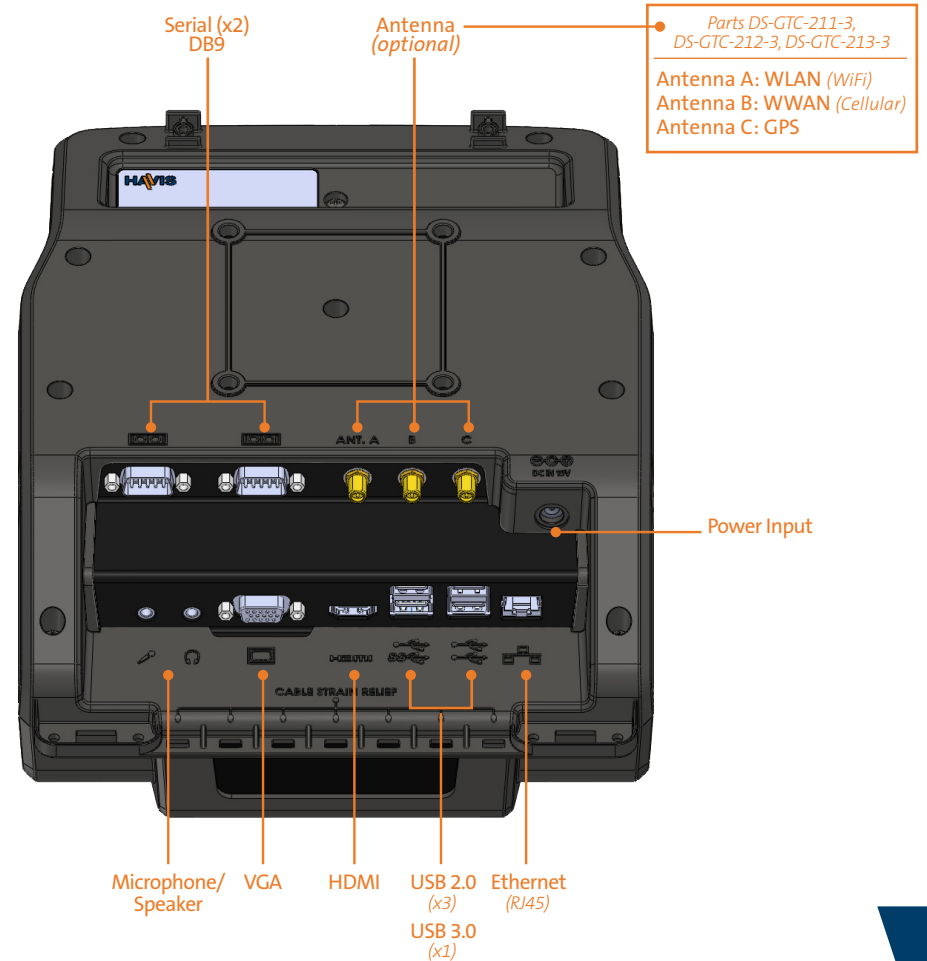
1. Zip Ties (6)
2. Keys (2)
3. M4 x 0.7 x 25mm long Pan Head Screws (5)
4. Split Lock Washers (5)
5. Washers, M4 (5)



Tools required for installation:

- #2 Phillips
(For M4 Pan Head Screws)

Port Replication Capability & Antenna Identification



Installation

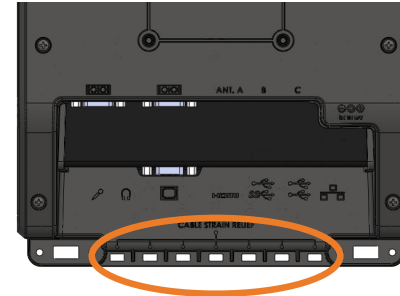
NOTE: If you are mounting the optional Front Exiting USB Cable (Part # DS-DA-311), please refer to page 11 before beginning Installation.

- 1) Install the Docking Station to the Motion Device using four (4) M4 x 0.7 x 25mm long Pan Head Screws (Hardware Kit Item 3), four (4) Split Lock Washers (Hardware Kit Item 4), and four (4) Washers, M4 (Hardware Kit Item 5). Torque screws to 20 in-lbs (2.3Nm) ± 10%.



Cable Management

- 1) Tip the Docking Station to a position that is comfortable to work with.
- 2) Install all cables that are necessary for computing needs.
- 3) Use Zip Ties (Hardware Kit Item 1) and the Strain Relief Points on the bottom of the Docking Station to secure cables and reduce risk of accidental disconnects.



- 4) Create a service loop with cables to ensure that no tension is on the connectors and to enable intended motion.
- 5) Tie off cables onto a stationary part of the mounting system.

