



PANASONIC SLIM VEHICLE DOCK FOR FZ-G1 WITH ELECTRONICS MODEL NUMBERS: CF-CDSG1SD01/02/03/04

A high specification proprietary vehicle dock for the Toughpad FZ-G1, specially designed to reduce the overall size requirements of the dock and tablet combination for those customers who do not require the addition of the FZ-G1 configuration options on the rear of the device.

Constructed from aluminium to keep it lightweight but strong, ABS plastic retaining parts give an accurate profile for secure retention of the FZ-G1 device under vibration and impact.

These docks are extensively tested by Panasonic to ensure they comply with safety legislation and perform to the highest customer expectations.

Features:

- Designed specifically for the FZ-G1 Toughpad device
- Designed to meet MIL-STD-810G test procedures
- Slim design for space-saving
- Lockable for added security
- Quick release button for fast, easy undocking
- VESA 75mm mounting pattern
- Alignment tabs to prevent damage to the docking connector when docking
- Rugged aluminium and ABS plastic construction for reduced weight and long-term durability
- Docking mechanism tested to 30,000 cycles
- 1 year return to base warranty as standard
- 3 and 5 year Extended Warranty and Accidental Damage Warranty options available

PANASONIC SLIM VEHICLE DOCK FOR FZ-G1

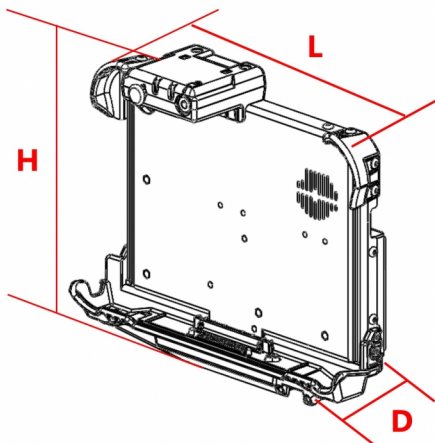
A proprietary vehicle docking station intended for use specifically with the Toughpad FZ-G1 tablet. This docking station is rugged, compact and lightweight and has been extensively tested to comply with safety legislation.

Model Number:	CF-CDSG1SD01	CF-CDSG1SD02	CF-CDSG1SD03***	CF-CDSG1SD04***
Power Supply Input	DC-16V			
LAN Port	1x RJ45			
USB Port	2x USB 3.0			
Serial Port	1x			
HDMI*	1x			
VGA Port*	1x			
Headphone	No			
Microphone	No			
Antennae Pass-Through	Yes	No	Yes	No
Lock	Keyed Alike	Keyed Alike	Keyed Differently	Keyed Differently
Length	291mm (11.5")			
Depth**	97mm (3.8")			
Height	243mm (9.6")			
Weight	1.28 Kg			
Warranty	1 year RTB (extended options available)			
Non-Electric Version?	No			
FZ-G1 Configurations not Supported:	Hand straps; SCR; Extended Battery; High or medium corner guards			

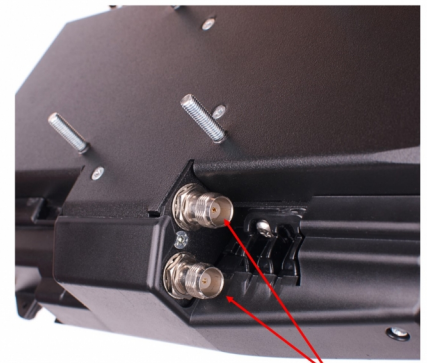
*Please note that the VGA and HDMI ports cannot be used simultaneously

**Measurement includes locking device

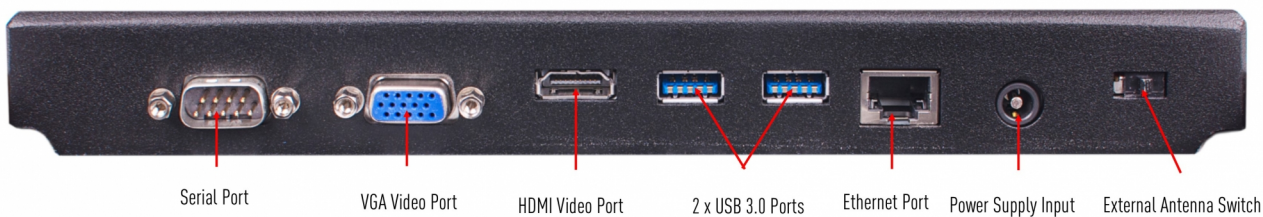
***Keyed Differently models available on project basis only



Key Operated Lock



Dual Antenna Pass-Through (TNC)



CERTIFICATIONS AND TESTING:

- RoHS; Automotive CE; RCM
- Vibration/Shock testing to MIL-STD-810G
- ECE Regulation 17 Impact Test